



INSTALLATION, CARE & USE MANUAL

Km35 Series Drinking Fountains /Water Coolers

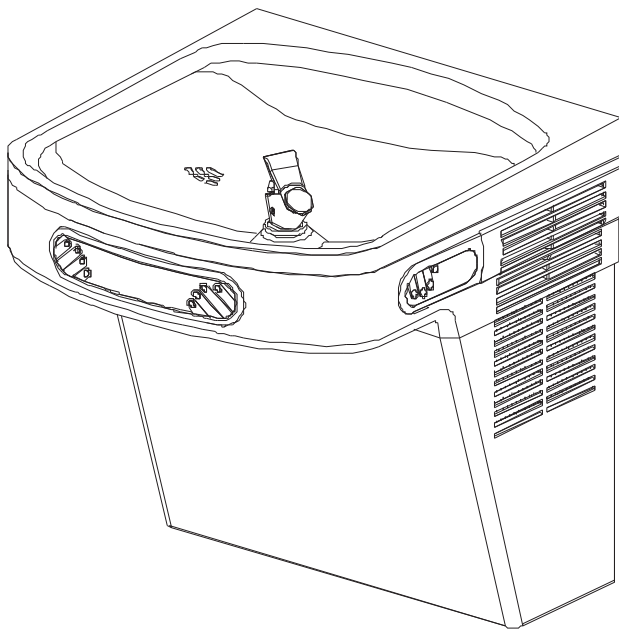
IMPORTANT

**THIS IS AN INDOOR APPLICATION ONLY.
ALL SERVICE TO BE PERFORMED BY AN
AUTHORIZED SERVICE PERSON.**

TOOLS REQUIRED

BUT NOT PROVIDED:

**SAFETY GLASSES
GLOVES
1-3/8" HOLE PUNCH (PROVIDED)
1/2" DRILL BIT
ELECTRIC DRILL
3/4" WRENCH OR CRECENT WRENCH
5/16" NUT DRIVER
UTILITY KNIFE
TAPE MEASURE
PENCIL
CENTER PUNCH
1/2" SOCKET & RATCHET WRENCH
5/32" ALLEN WRENCH**

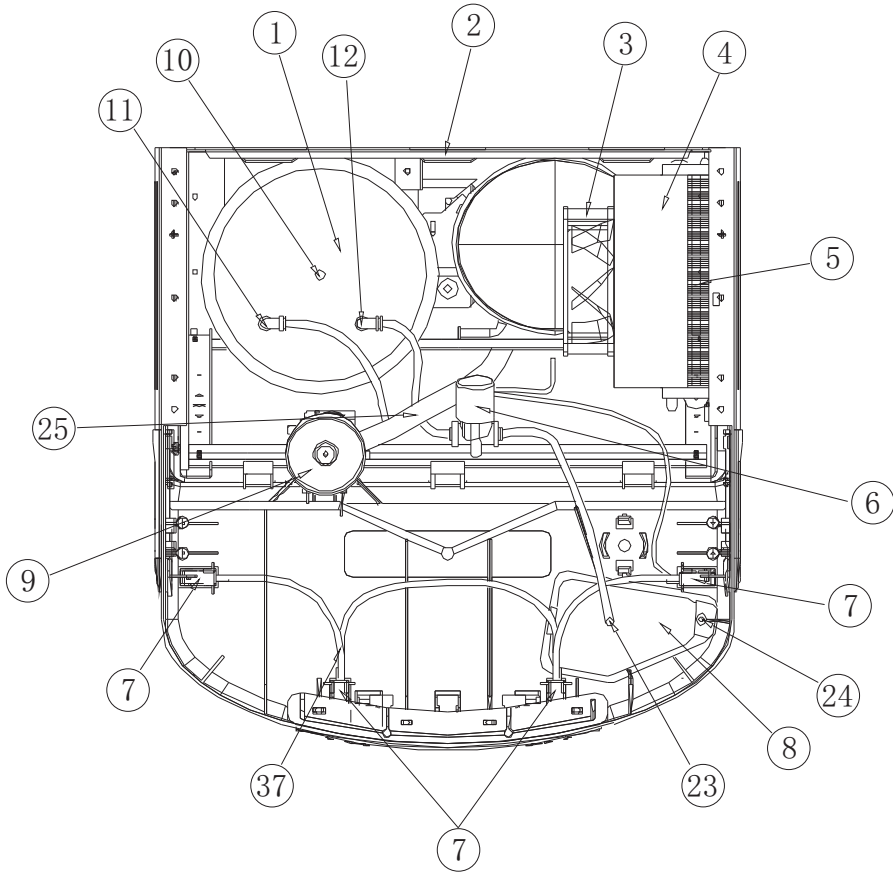


IMPORTANT! INSTALLER PLEASE NOTE.

THE GROUNDING OF ELECTRICAL EQUIPMENT SUCH AS TELEPHONE, COMPUTERS, ETC. TO WATER LINES IS A COMMON PROCEDURE. THIS GROUNDING MAY BE IN THE BUILDING OR MAY OCCUR AWAY FROM THE BUILDING. THIS GROUNDING CAN CAUSE ELECTRICAL FEEDBACK INTO A FOUNTAIN, CREATING AN ELECTROLYSIS WHICH CAUSES A METALLIC TASTE OR AN INCREASE IN THE METAL CONTENT OF THE WATER. THIS CONDITION IS AVOIDABLE BY USING THE PROPER MATERIALS AS INDICATED. ANY DRAIN FITTINGS PROVIDED BY THE INSTALLER SHOULD BE MADE OF PLASTIC TO ELECTRICALLY ISOLATE THE FOUNTAIN FROM THE BUILDING PLUMBING SYSTEM. WE SUGGEST THAT THE BOTTLE FILLING STATION AND WATER COOLER BE PROTECTED BY A GROUND FAULT CIRCUIT INTERRUPTER (GFCI).

To insure you install these models easily and correctly, PLEASE READ THESE SIMPLE INSTRUCTIONS BEFORE STARTING THE INSTALLATION. CHECK YOUR INSTALLATION FOR COMPLIANCE WITH PLUMBING, ELECTRICAL, AND OTHER APPLICABLE CODES. After installation, leave these instructions with the Fountain for future reference.

FIGURE 1



Item No.	Description
1	Evaporater
2	Hanger Bracket
3	Fan
4	Shroud-Fan
5	Condenser
6	Solenoid Valve
7	Switch-Electrical
8	Access Panel
9	Drainage Funnel
10	Orifice-Fill Ice Bank
11	Orifice-Water Inlet
12	Orifice-Water Outlet
13	Pushbar-Side
14	Upper Plastic Shroud
15	Pushbar-Front
16	Basin
17	Faucet-Bubbler
18	Lower Shroud
19	Compressor
20	Water Pipe Coupling
21	Cold Water Thermostat
22	Orifice-Overflow
23	Out Water Pipe
24	Retaining Screw(M5)
25	Waste Water Pipe
26	Bubbler Head
27	Stream Adjuster
28	Rubber Seal
29	Locknut
30	Non-return Pad
31	M10 Nut
32	Horn Pad
33	Stopper
34	Fastening Nut
35	1/4" PE Pipe
36	M4 Screw
37	Wiring Harness

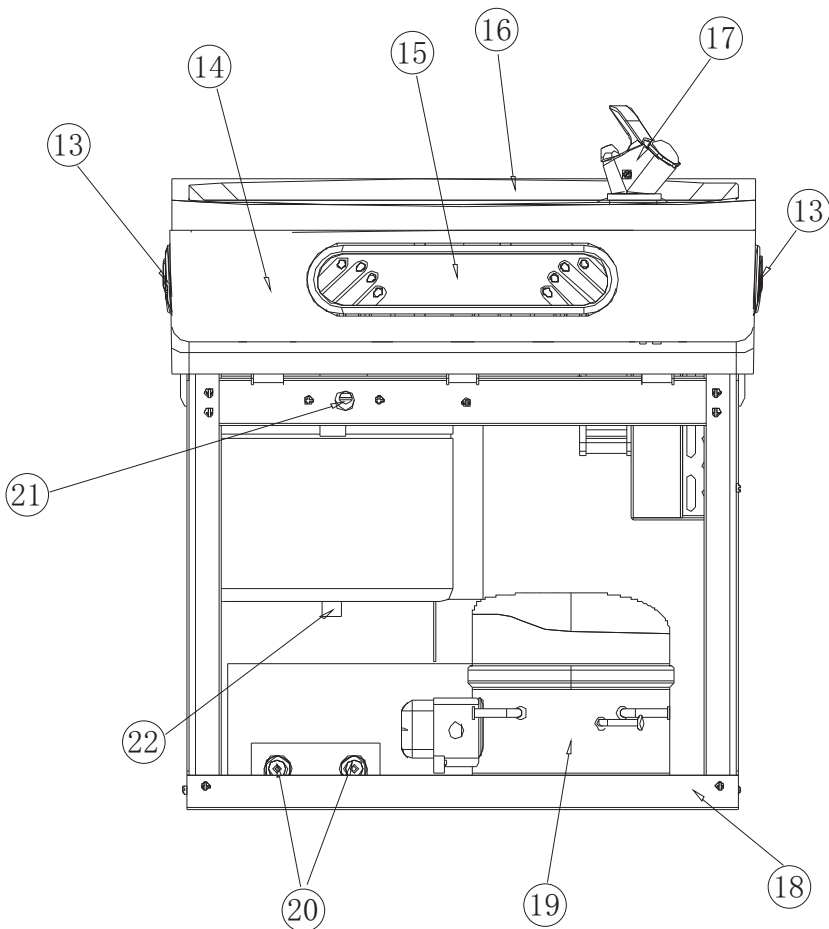
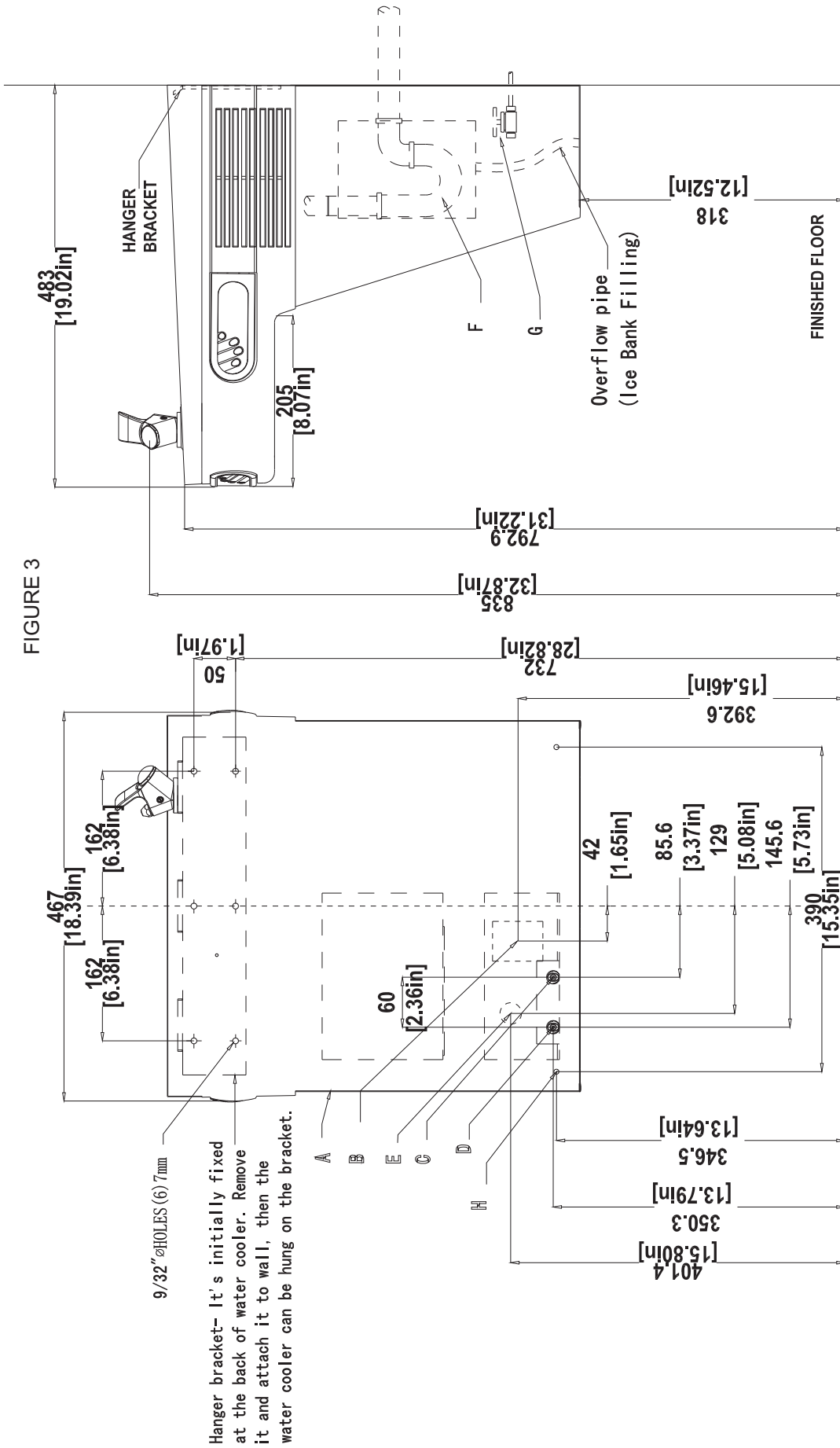


FIGURE 2

FIGURE 3



A = INSURE PROPER VENTILATION BY MAINTAINING 6" (152mm) Min. CLEARANCE FROM CABINET LOUVERS TO WALL

B = RECOMMENDED LOCATION FOR ELECTRICAL SUPPLY WIRE RECESSED BOX

C = WATER INLET

D = FILL ICE BANK

E = LOCATION FOR WASTER OUTLET 1-1/4" O. D. DRAIN STUB 2 IN. OUT FROM WALL

F = 1-1/4" DRAINING TRAP FOR WASTE WATER (EXTERNAL PIPE NOT FURNISHED)

G = WATER SUPPLY VALVE

H = Ø 6 BOLT HOLES (M5 Screw) FOR FASTENING UNIT TO WALL

HANGER BRACKETS & TRAP INSTALLATION

1) Remove hanger bracket fastened to back of cooler by removing one (1) screw. SEE FIGURE 3.

2) Mount the hanger bracket to the wall.

NOTE: Hanger Bracket **MUST** be supported securely. Add fixture support carrier if wall will not provide adequate support. Anchor hanger securely to wall using all six (6) 1/4 in. dia. mounting holes.

IMPORTANT:

5-7/8 in. (150mm) dimension from wall to centerline of trap must be maintained for proper fit.

INSTALLATION OF COOLER

3) Hang the cooler on the hanger bracket. Be certain the hanger bracket is engaged properly in the slots on the cooler back as shown in FIGURE 3.

4) Remove the four (4) screws holding the lower front panel at the bottom of cooler. Remove the front panel by pulling straight down and set aside, SEE FIG. 4, FIG.5.

WATER CONNECTION TO THE MAIN

5) Before making the water connection, make sure the mains water pressure is between 20 and 60 psi.

6) If the mains water pressure exceeds 60 psi, predispose a pressure reducer capable of reducing the latter to the 20~60 psi.

7) Connection to the mains water supply is carried out with the aid of 1/4in PE tube provided(dia 1/4").

8) The tube terminals (1/2"×1/4" fitting) must be connected to the mains supply by means of a "water supply valve" G (not provided). SEE FIGURE 3.

FILLING INTERNAL ICE BANK

9) Remove the white plugs marked "Fill Ice Bank".

10) Connect water supply tube into the connector "Fill Ice Bank".

11) Open the "water supply valve" G, let the water enter the ice bank slowly and fill the ice bank; once reach the right level, the exceeding water will run over the outlet of Overflow pipe, then close "water supply valve" G. After that, connect water pipe into coupling-- "water in" with proper pressure. SEE FIGURE 3.

Note: The connection of tank charge--"Fill Ice Bank" has to be disconnected.

12) Insert the white plug back to its original position(overflow).

DRAIN CONNECTION

The drain water is clean and it comes from the tray(basin) that collects any dripping during dispensing.

Connect the drain pipe (O.D. 20mm) to drain with a drain-trap. If necessary, cut the pipe so as to avoid narrowing or rising or backflow problems.

CLEANING

Warm, soapy water or mild household cleaning products can be used to clean the exterior panels of the TB35 water coolers. Extra caution should be used to clean the mirror finished stainless steel panels. They can be easily scratched and should only be cleaned with mild soap and water or Windex glass cleaner and a clean, soft cloth. Use of harsh chemicals or petroleum based or abrasive cleaners **will void the Warranty**.

Service Instructions

Lower and Upper Shroud

To access the refrigeration system and plumbing connections, remove four screws from bottom of cooler to remove the lower shroud. To remove the upper shroud for access to the pushbars, regulator, solenoid valve or other components located in the top of the unit, remove lower shroud, disconnect drain, remove four screws from tabs along lower edge of upper shroud, unplug two wires and water tube. SEE FIG.4, FIG.5 & FIG.6.

Bubbler

To remove the bubbler, first disconnect the power supply. The underside of the bubbler can be reached through the access panel (Item 8) on the underside of the upper shroud (Item 14). Remove the access panel by removing the retaining screw (item 24) . To remove the bubbler, loosen locknut (Item 29) from the underside of the bubbler and remove the tubing from the quick connect fitting. After servicing, replace the access panel and self-tapping screw. SEE FIG.7.

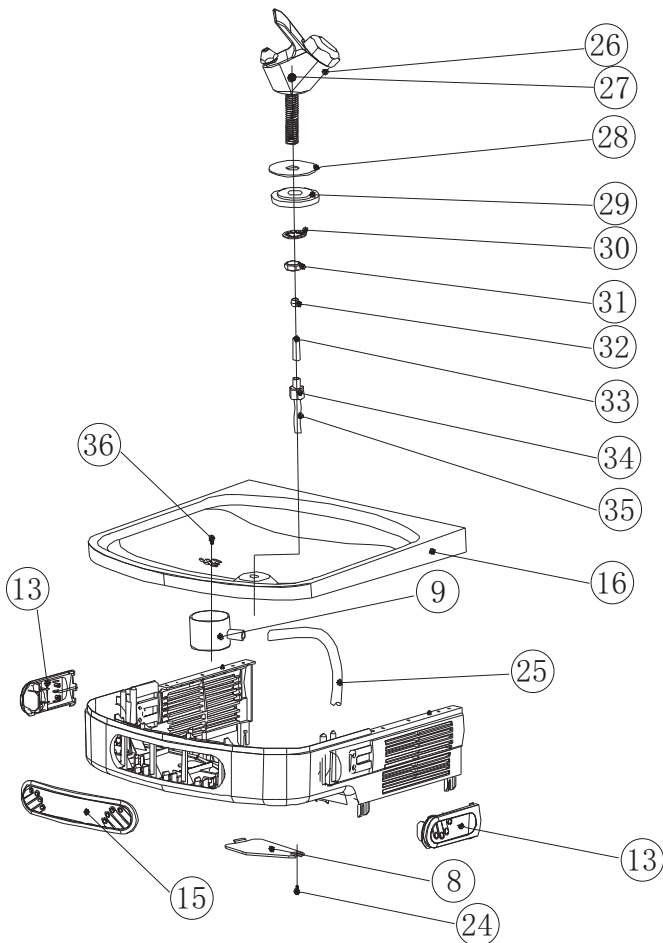


FIGURE 6

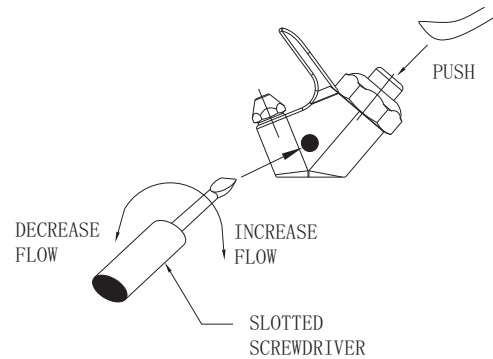
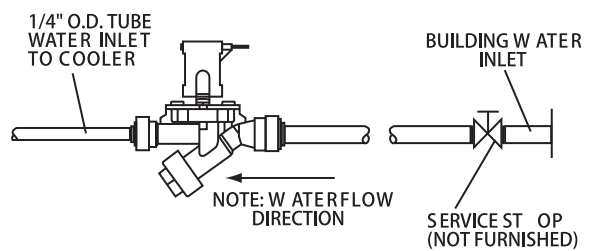
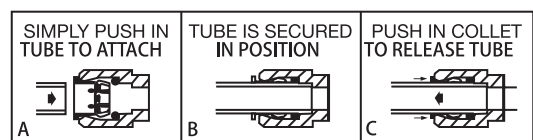


FIGURE 7



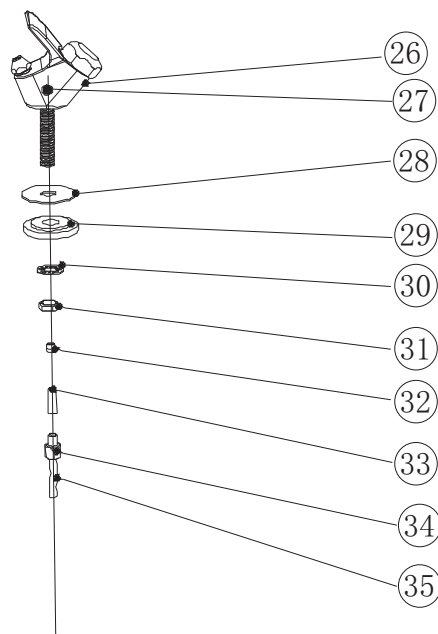
OPERATION OF QUICK CONNECT FITTINGS



PUSHING TUBE IN BEFORE PULLING IT OUT HELPS TO RELEASE TUBE



BUBBLER DETAIL



NOTE:
 When installing replacement bubbler and pedestal, tighten
 Nut only to hold parts snug in position. Do Not
 Overtighten.

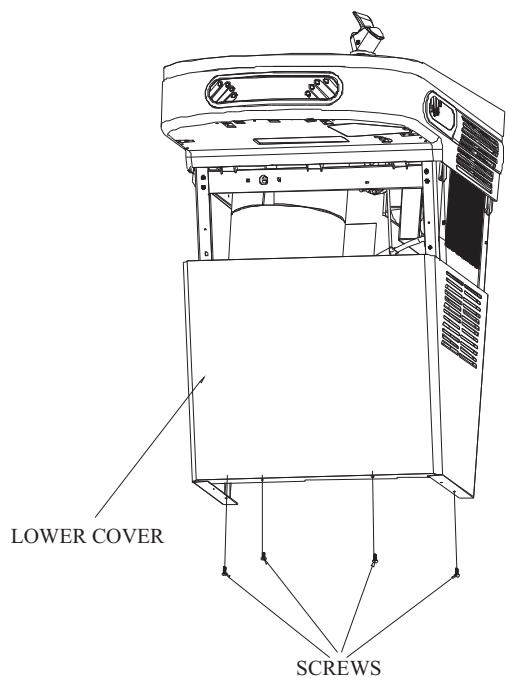


FIGURE 4

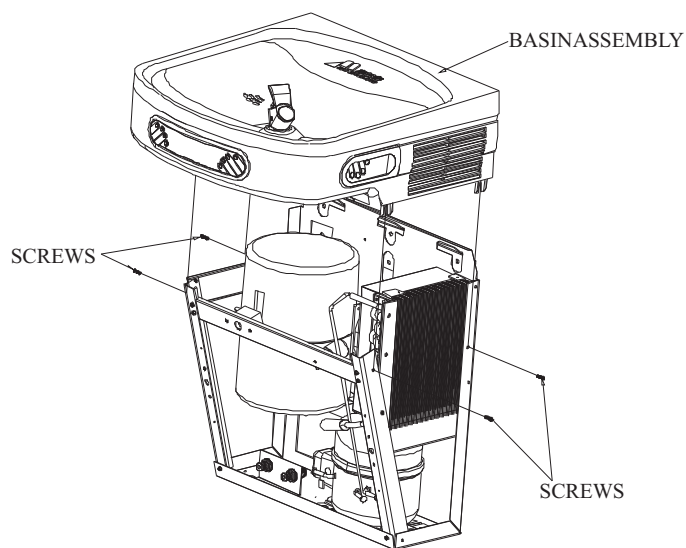
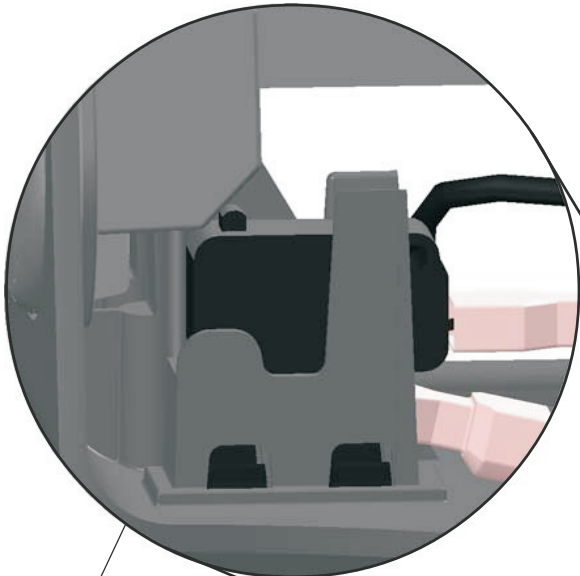


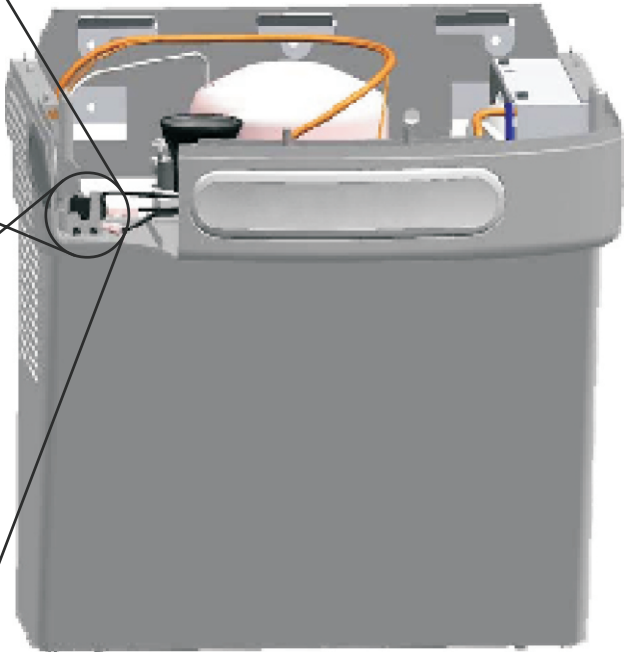
FIGURE 5

Switch Activation

Note: Only side push activation is shown.
Front push works the same.



Open Switch Detail



Closed Switch Detail